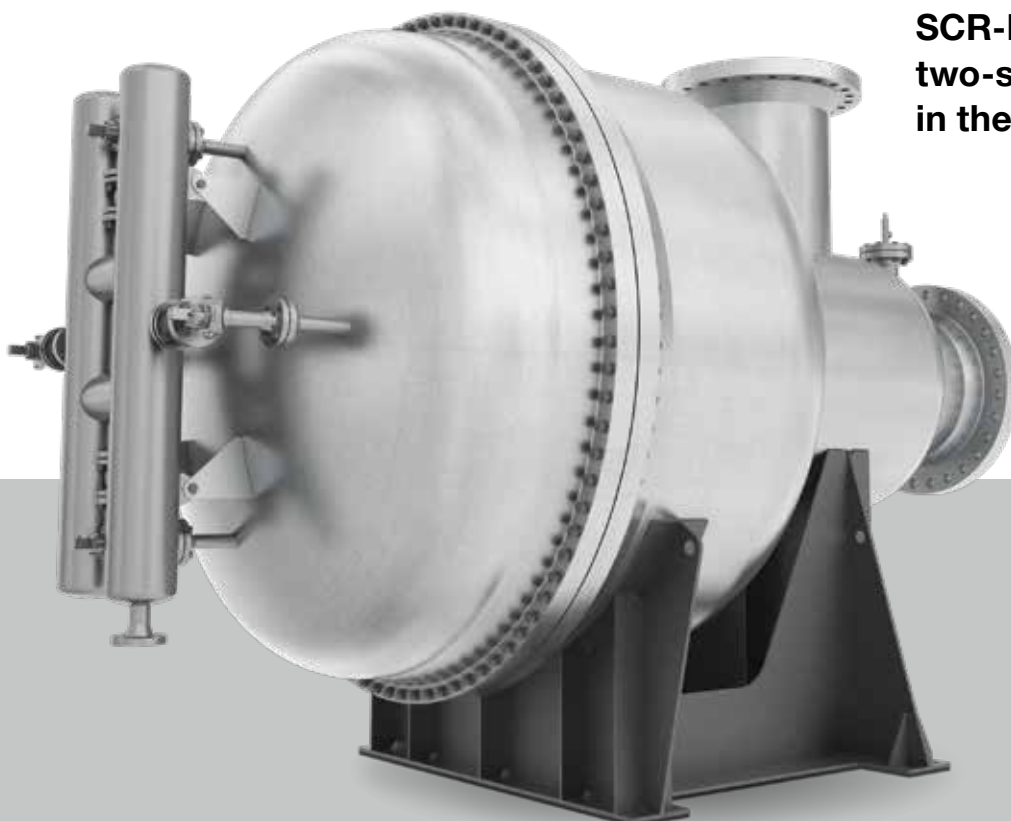


MAN SCR-HP

Exhaust gas treatment

MAN SCR-HP offers a compact design for easy integration, and the few frame sizes cover the entire two-stroke portfolio up to 25 MW per SCR reactor.

The integrated mixing unit reduces the overall length and volume, and the specifically designed honeycombs allow a compact design. Therefore, the MAN SCR-HP is the smallest two-stroke SCR system in the market.

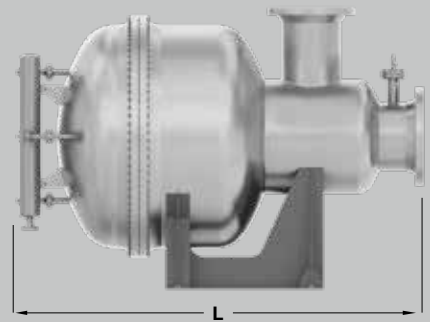
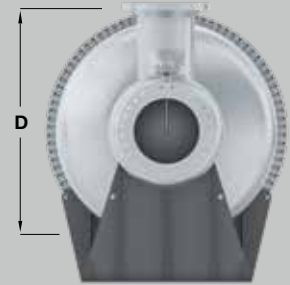


MAN SCR-HP

Exhaust gas treatment

Dimensions

Cluster	Reactor diameter (mm)	Reactor length (mm)	
		< 0.1% sulphur	< 3.5% sulphur
1	1,900	3,500	4,500
2	2,300	3,800	4,800
3	2,800	4,000	5,000
4	3,100	4,200	5,200
5	3,800	4,800	5,800
6	4,500	5,400	6,400



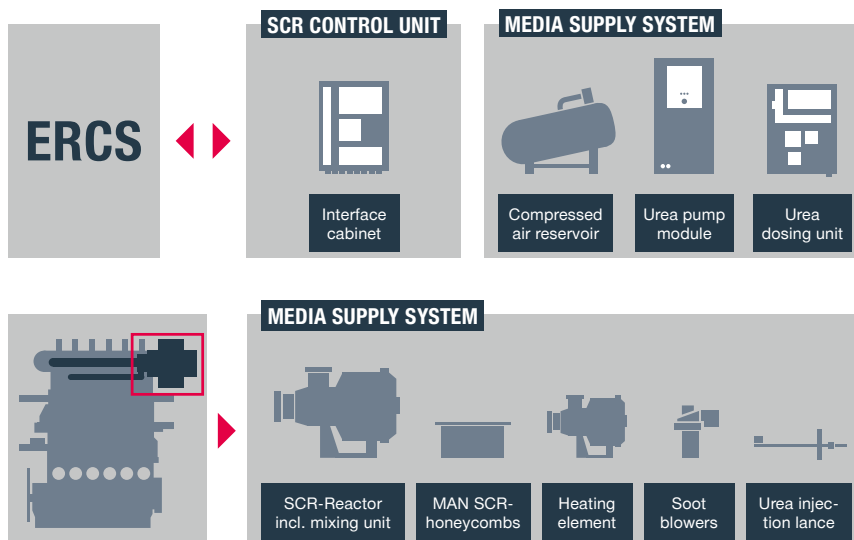
Applications

- Marine propulsion
- Power generation

The MAN SCR-HP reactor can be mounted in each position and is capable of running on all fuels.

With the SCR-HP, MAN Energy Solutions offers a small and compact

NOx emission reduction system. Besides the reactor itself, it also incorporates an integrated mixing unit. The auxiliary components like urea injection lance, urea dosing unit and urea pump module are from MAN's well-proven SCR-LP system.



MAN Energy Solutions

86224 Augsburg, Germany

P + 49 821 322-0

F + 49 821 322-3382

turbochargers@man-es.com

www.turbocharger.man-es.com