

# Propeller pitch feedback system

MAN PrimeServ

## New version available

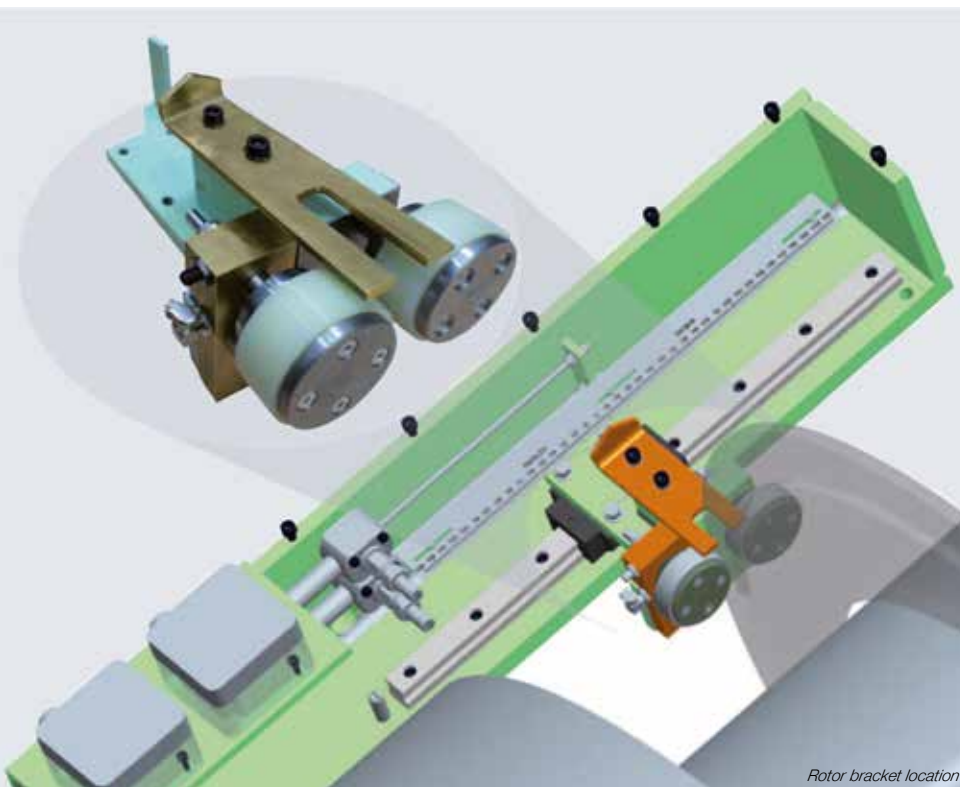
MAN Energy Solutions has developed a new improved pitch feedback arrangement for the VBS/ODS range of CP Propellers.

The rotor bracket of the new arrangement can be retrofitted to existing VBS/ODS systems of previous designs.

### The solution is characterized by:

- A robust and durable mechanical design
- Improved roller guides, leading to less wear and longer time between overhaul
- Safety bracket, securing full pitch control in case of malfunction
- Reliable and precise electrical feedback signals
- A quick and safe installation guidance

Consider an upgrade solution for your CP Propeller feedback arrangement!



*Rotor bracket location*

Contact us via e-mail,  
[PrimeServ-frh@man-es.com](mailto:PrimeServ-frh@man-es.com)  
- for a proposal tailored to your CP Propeller installation.

# Propeller pitch feedback system

## Easy retrofit to existing installations

Take advantage of MAN Energy Solutions continuous development policy combined with the vast in-service experience accumulated from large propeller populations. This is your best assurance for having lifelong service support, updating and reconditioning possibilities available.

Consequently, the rotor bracket of the new system is designed for easy retrofitting to existing VBS/ODS propellers.

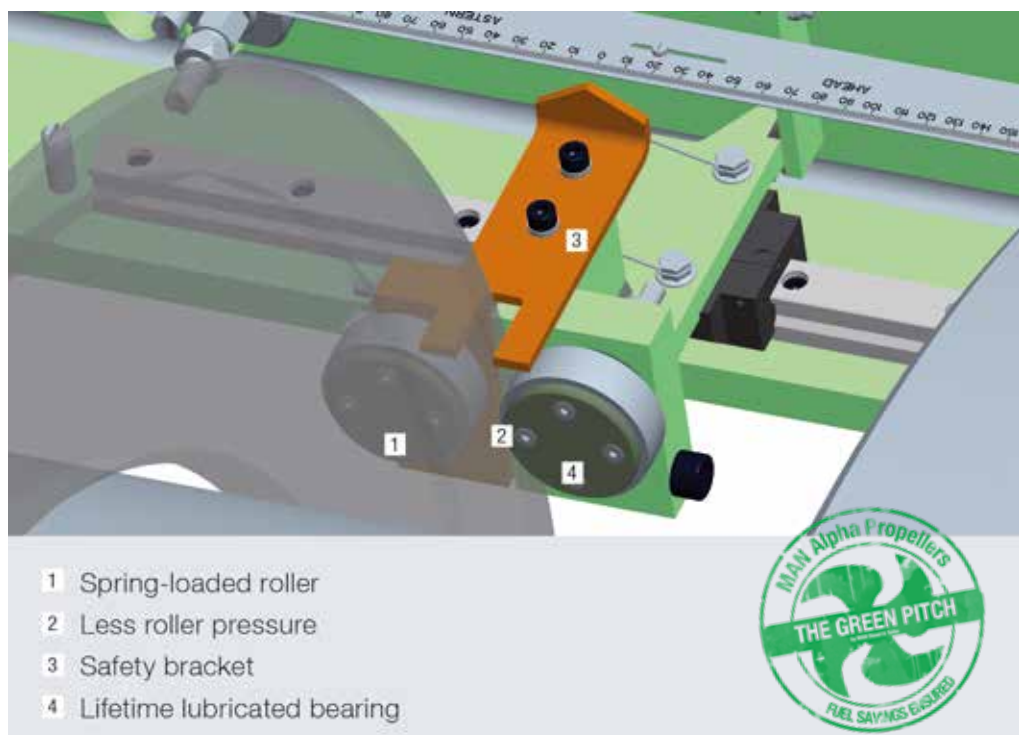
Please, send your details and we will make an assessment!

### MAN Energy Solutions

PrimeServ Frederikshavn  
Niels Juels Vej 15  
9900 Frederikshavn, Denmark  
P +45 96 20 41 00  
F +45 96 20 40 30  
www.man-es.com

### MAN Energy Solutions

PrimeServ Frederikshavn  
Langerak 74  
9900 Frederikshavn, Denmark  
P +45 96 20 41 00  
F +45 96 20 40 41  
PrimeServ-frh@man-es.com  
www.man-es.com



All data provided in this document is non-binding. This data serves informational purposes only and is not guaranteed in any way. Depending on the subsequent specific individual projects, the relevant data may be subject to changes and will be assessed and determined individually for each project. This will depend on the particular characteristics of each individual project, especially specific site and operational conditions.