



# Maintenance Kits solution

MAN PrimeServ



Be prepared





# Be prepared

## We provide the solution for you

MAN PrimeServ Maintenance Kits provide an all-in-one solution for the easy and effective overhaul of components for your energy and propulsion system.

Each MAN PrimeServ Maintenance Kit contains all the necessary genuine MAN PrimeServ replacement parts along with an installation guide for the specific component, based on easy-to-follow visual diagrams. This enables your engineers to carry out any required service or repair operations quickly and correctly.

### Maintenance kit solution

A MAN PrimeServ Maintenance Kit contains all the wearables and replacement parts you need to carry out preventive maintenance effectively.

Each kit is specifically configured to contain what you need to service each key component in your particular MAN energy and propulsion system.

MAN PrimeServ Maintenance Kits contain the exact genuine, high-quality spare parts your engineers need to perform a scheduled full service or unscheduled repair, whenever and wherever needed. This helps you limit any risks of unscheduled downtime and lost revenue, with minimum hassle and cost.

Using such a kit extends the Time Between Overhaul and enables you to keep your fleet operating with even greater reliability and lower operating costs.

**It pays to be prepared!**



# Maintenance Kits solution

## Five good reasons for buying MAN PrimeServ Maintenance Kits



### 1. Greater efficiency

Saves you time, money and hassle by eliminating the need for urgent unscheduled spare part deliveries.



### 4. Simple installation

Easy-to-follow instructions help prevent mistakes and ensure faster return to service.



### 2. All-in-one parts packages

All you need for effective maintenance is the kit containing genuine MAN spare parts for each component for every energy and propulsion system concerned.



### 5. Access to know-how

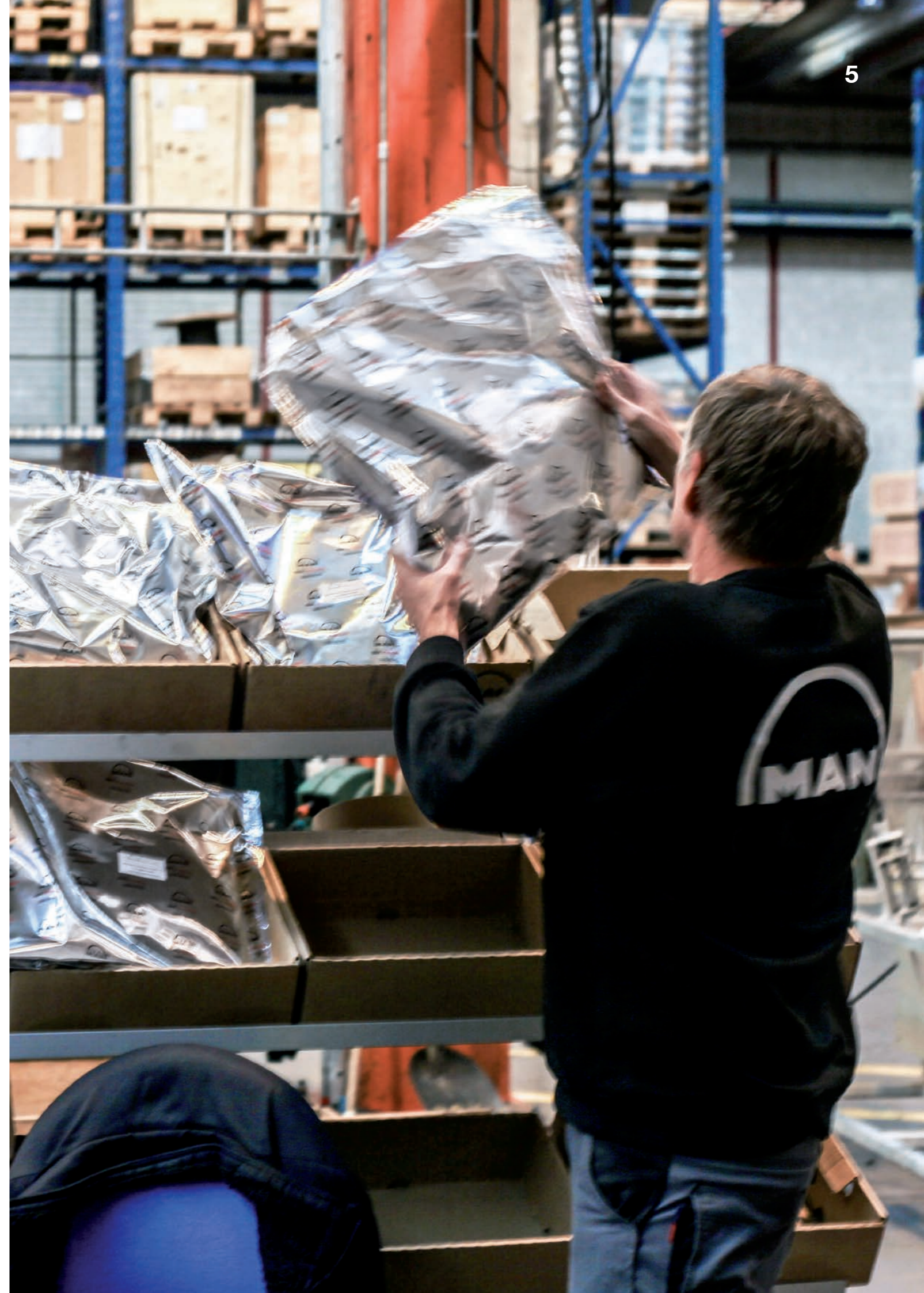
Direct access to the results of MAN PrimeServ experience and know-how about effective preventive maintenance.

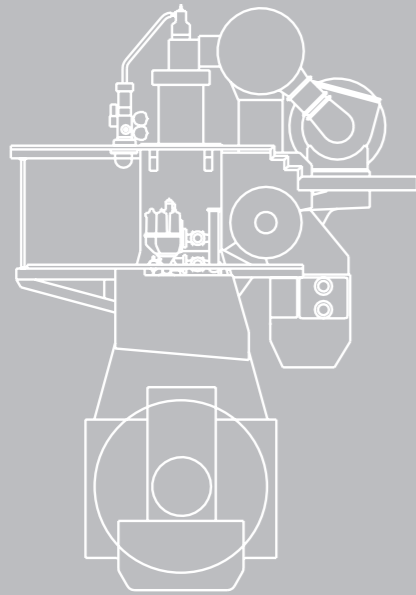


### 3. Effective servicing

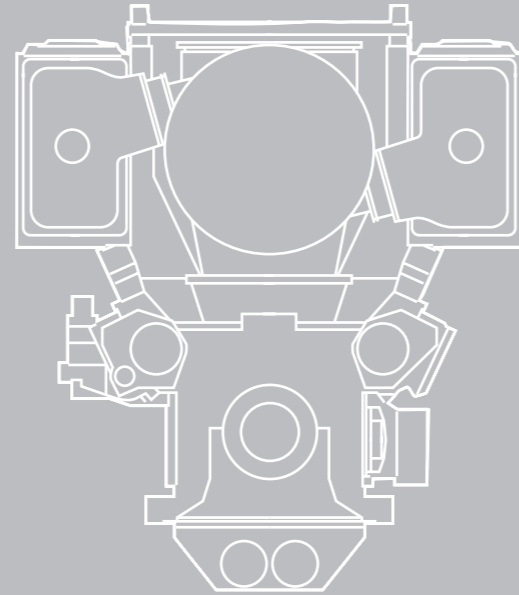
All the wearing parts for each component are replaced at the same time, reducing risk and boosting reliability.

We recommend having MAN PrimeServ Maintenance Kits for all your key systems on board, ready for immediate use to prevent delays, downtime and unplanned expenditure.

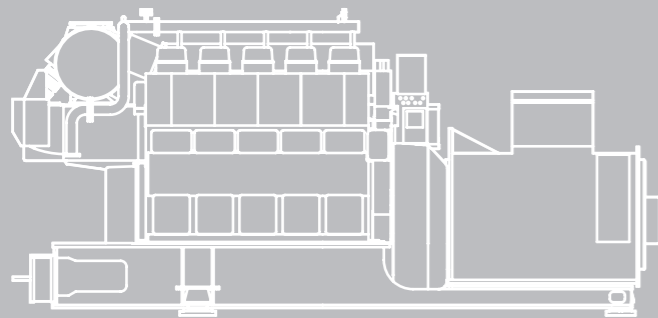




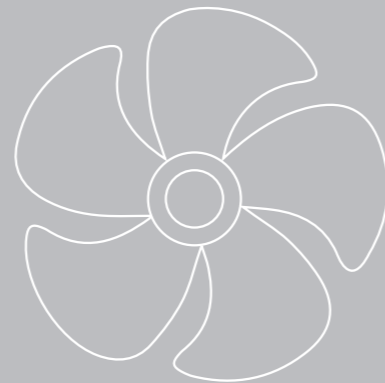
Two-stroke



Four-stroke



GenSets



Propellers

**We have the  
maintenance  
kits you need**



# Worldwide service

**100**  
Service centers  
worldwide

Represented in all key markets and major ports, with a network of more than 100 service centers, and with skilled field service managers at the ready to provide first-class technical support, MAN PrimeServ is fully primed to provide 24/7 service, wherever you are.

In power plants, marine engines & systems and turbomachinery, offering reliable technical support when you need it most, our service solutions include OEM spare parts, engine and machinery maintenance and repairs, customized service agreements and individual consulting.

For existing equipment our holistic retrofit and modernization solutions keep your engines or turbochargers up-to-date and at optimal levels of reliability, availability and economic

efficiency. Through cutting edge digital technology we're able to hike performance and minimize downtimes, while our remote connections enable live data analysis, ensuring quick, effective solutions. MAN PrimeServ Academies provide expert training courses around the world, developing the operational and maintenance skills required.

For more information please visit  
[www.man-es.com/primeserv](http://www.man-es.com/primeserv)

MAN PrimeServ

# Service with passion



#### An interactive experience

Download the MAN Brochure Store app from the App Store or Google Play Store. Use its interactive features to explore our complete range of products and services.



#### Latest news via an app

DieselFacts brings you the most recent news from the world of two-stroke and four-stroke engines, including the latest technical papers, in-depth features and videos.



**MAN Energy Solutions**

MAN PrimeServ Copenhagen  
2450 Copenhagen, Denmark  
P + 45 33 85 11 00  
F + 45 33 85 10 49  
primeserv-cph@man-es.com  
www.man-es.com

**MAN Energy Solutions**

MAN PrimeServ Four-Stroke Denmark  
9900 Frederikshavn, Denmark  
P + 45 96 20 41 00  
F + 45 96 20 40 40  
primeserv-frh@man-es.com  
www.man-es.com

**MAN Energy Solutions**

MAN PrimeServ Augsburg  
86224 Augsburg, Germany  
P + 49 821 322-0  
F + 49 821 322-3382  
primeserv-aug@man-es.com  
www.man-es.com

**MAN Energy Solutions**

MAN PrimeServ Four-Stroke Denmark  
4960 Holeby, Denmark  
P + 45 54 69 31 00  
F + 45 54 69 30 31  
primeserv-hol@man-es.com  
www.man-es.com

**MAN Energy Solutions**

MAN PrimeServ France  
44615 Saint-Nazaire Cedex, France  
P + 33 (0) 2 40 90 65 00  
F + 33 (0) 2 40 90 68 98  
primeserv-fr@man-es.com  
www.man-es.com

All data provided in this document is non-binding. This data serves informational purposes only and is not guaranteed in any way. Depending on the subsequent specific individual projects, the relevant data may be subject to changes and will be assessed and determined individually for each project. This will depend on the particular characteristics of each individual project, especially specific site and operational conditions.

Copyright © MAN Energy Solutions.  
D2366602 Printed in Germany  
31M-08181