

Gear Maintenance Concept

MAN PrimeServ

25,000 hours checkpoint or every 5 years

To ensure continued long-term performance and reliability of your MAN Alpha reduction gearbox and CP propeller servo system, MAN Energy Solutions can now offer an extended maintenance package for new and existing transmission systems.

Reduction gear safety and transparency

MAN Energy Solutions offers the Gear Maintenance Concept not only to plants which have reached the age and operational hours as specified above. The maintenance concept is also available as class control or a condition report required e.g. at change of ownership – or when the ship is prepared for a new demanding charter.

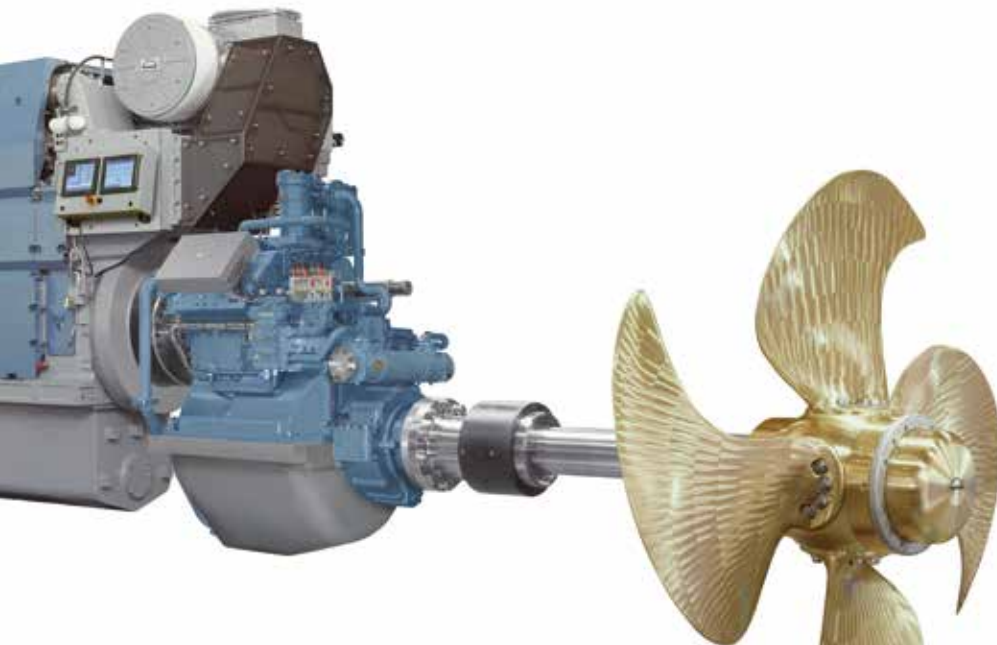
Take a proactive step at regular intervals

With operational records on durability and reliability of MAN Alpha gearboxes, an extended maintenance concept may seem as an overkill solution, but it is, however, a cost-effective peace of mind opportunity.

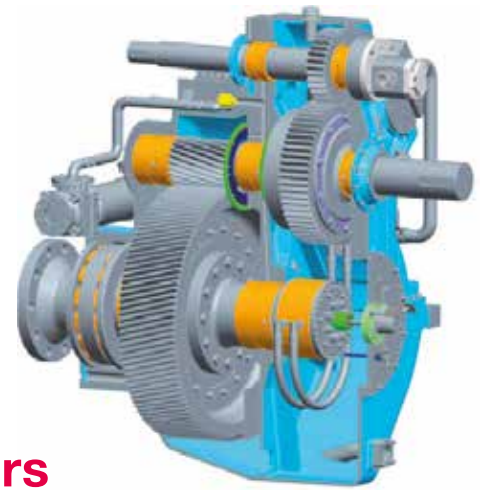
5-year maintenance concept

The 25,000 operating hours, or 5-year checkpoint and control package, includes:

- Gear wheel tooth pattern inspection
- Thrust bearing clearance control measurement
- Lube oil, servo oil and clutch oil pressure control
- Clutch in/clutch out control
- Shaft brake control – when installed
- ODG oil distribution unit leak oil control
- Manoeuvring and CPP feedback system control
- Control of flexible couplings – main and PTO/PTI
- A recommended kit of spare parts can be delivered.



Gear Maintenance Concept



25,000 hours checkpoint or every 5 years

MAN for the job

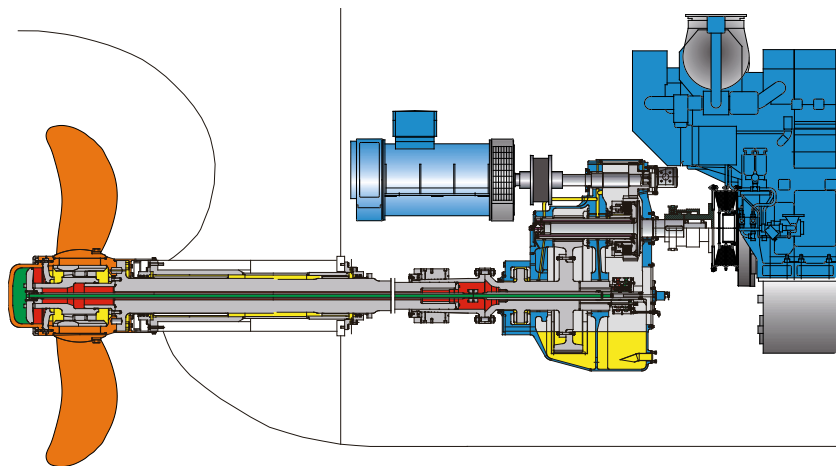
Our skilled and specially trained PrimeServ personnel will thoroughly finish the control or maintenance concept according to check lists for the mechanical, hydraulic and electrical systems of the reduction gear. All gearboxes of the MAN Alpha range, from designs close-coupled with engines to various free-standing gearboxes with vertical or horizontal offset, are serviced with and without PTO/PTI solutions.

Status documentation and customer benefits

- Certificate and measuring reports supplied
- Best possible service and overhaul planning
- Max reliability between scheduled maintenance
- Optimized operational economy
- Service cost transparency.

Simple, easy, fast and safe – without offhire

The 5-year gear maintenance job alone can be carried out within one working day – or combined with our propeller maintenance concept at the next docking.



MAN Energy Solutions

PrimeServ Frederikshavn
Niels Juels Vej 15
9900 Frederikshavn, Denmark
P +45 96 20 41 00
F +45 96 20 40 30
PrimeServ-frh@man-es.com
www.man-es.com

All data provided in this document is non-binding. This data serves informational purposes only and is not guaranteed in any way. Depending on the subsequent specific individual projects, the relevant data may be subject to changes and will be assessed and determined individually for each project. This will depend on the particular characteristics of each individual project, especially specific site and operational conditions.

Copyright © MAN Energy Solutions. 1510-0192-04ppr. May 2021 Printed in Denmark